



# OVERHEAD PRIMARY TAPS HOT LINE TAP CLAMPS ALUMINUM

ALUMINUM  
AH/S1500

For Aluminum, ACSR, and armor rod covered aluminum or ACSR conductor

For installation on energized conductor

**Material:** **Body and Keeper** – Aluminum Alloy  
**Eyebolt** – Bronze Alloy – Tin Plated  
**Eyestem** – Bronze Alloy, Forged or Stainless Steel  
**Spring (on eyestem)** – Stainless Steel

For Factory greased and bagged clamps, see notes below table.

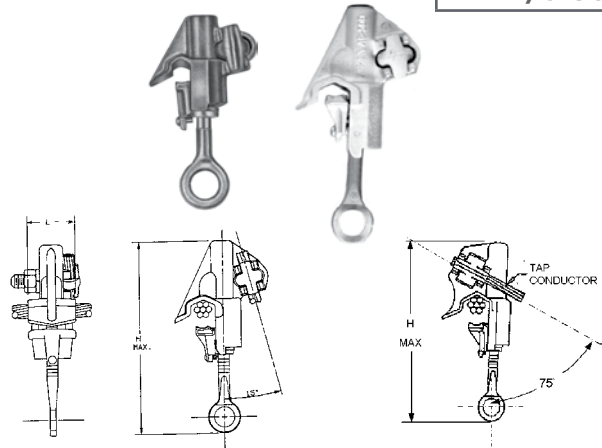


FIGURE 1

FIGURE 2

DC  
1

## Product Data & Conductor Size

CATALOG NUMBER	MAIN LINE	TAP	FIG. NO.	PLATING	CONDUCTOR RANGE (AWG OR KCMIL)						DIMENSIONS INCHES (MM)		TAP NUT (ACROSS FLATS)	AP-PROX. WT. EACH LBS. (KG).	
					MAIN				TAP		L	H			
					AAC	AAC WITH A/R	ACSR	ACSR WITH A/R	AAC/CU	ACSR					
*S1520AA	AL	AL	1	None	#8 - 2/0 Str	n/a	#8 - 1/0	n/a	#8 Sol. - 2/0 Str.	#8 - 1/0	1.0	5.25	9/16	0.4	
*S1520AGP	AL	AL/CU		Tin plated	---0.128 - 0.414--- (3.25 - 10.54)						(25.4)	(133)	(14.3)	(0.18)	
AH4** (#)	AL	AL	1	None	#6 Sol - 600	#6 Str - 3/0 Str	#8 - 556.5 (18/1)	#6 - 3/0	#6 Sol. - 266.8	#6 - 4/0	1.75	7.75	9/16	0.8	
AH4GP** (#)	AL	AL/CU		Tin plated	--- 0.157 - 0.905 --- (4.00 - 23.03)						--- 0.157 - 0.593 --- (4.00 - 15.07)		(44)	(196)	(14.3)
*S1530AA (#)	AL	AL	2	None	#6 Sol - 400	#6 Str - 2/0 Str	#6 - 397.5 (18/1)	#4 - 1/0	#6 Sol. - 4/0 Str	#6 - 3/0	1.75	7.13	11/16	0.64	
*S1530AC (#)	AL	CU		AC Trans*									(17.5)		
*S1530AGP	AL	AL/CU		Tin plated	--- 0.162 - 0.745 --- (4.12 - 18.96)						---0.162 - 0.547--- (4.12 - 13.92)		(44)	(181)	3/4
*S1534AGP	AL	AL/CU		Tin plated									(19)		
*S1535AA	AL	AL	-	None	#2 Sol - 450	#4 - 3/0 Str	#4 - 397.5	#4 - 2/0	#4 Str. - 450	#8 - 397.5	1.50	7.75	3/4	0.88	
*S1535AGP	AL	AL/CU		Tin plated	--- 0.250 - 0.806 --- (6.36 - 20.51)								---0.204 - 0.806--- (5.19 - 20.51)		(38)
*S1540AA (#)	AL	AL	2	None	4/0 Str - 800	#4 Str - 4/0	3/0 (6/1) - 636 (30/19)	#4 - 266.8	#4 Sol. - 350	#6 - 266.8	1.81	7.31	3/4	0.98	
*S1540AC (#)	AL	CU		AC Trans*									(46)		(186)
*S1540AGP	AL	AL/CU		Tin plated	--- 0.502 - 1.031 --- (12.78 - 26.24)						---0.198 - 0.703--- (5.03 - 17.89)		(46)	(186)	(19)
AH7** (#)	AL	AL	2	None	4/0 Str - 800	#4 Str-4/0	3/0 (6/1) - 636 (30/19)	#4 - 266.8	#4 Sol. - 350	#6 - 266.8	1.81	7.31	3/4	0.98	
AH7GP** (#)	AL	AL/CU		Tin plated	--- 0.502 - 1.031 --- (12.78 - 26.24)								---0.198 - 0.703--- (5.03 - 17.89)		(46)
*S1545AA	AL	AL	2	None	700 Str - 1500	266.8 - 715.5	556.5 (30/7) - 1510 45/7	266.8 - 556.5	#4 Sol. - 300	#6 - 266.8	2.19	9.63	3/4	1.35	
*S1545AGP	AL	AL/CU		Tin plated	--- 0.939 - 1.490 --- (23.90 - 37.92)								---0.198 - 0.703--- (5.03 - 17.89)		(56)

\* Replace Prefix "S" with "P" for factory greased and bagged part (i.e. P1534AGP).

\*\*Add "XB" Suffix for factory greased and bagged part (i.e. AH7GPXB).

#RUS Listed

+ Aluminum/Copper bimetallic washer in eyebolt.